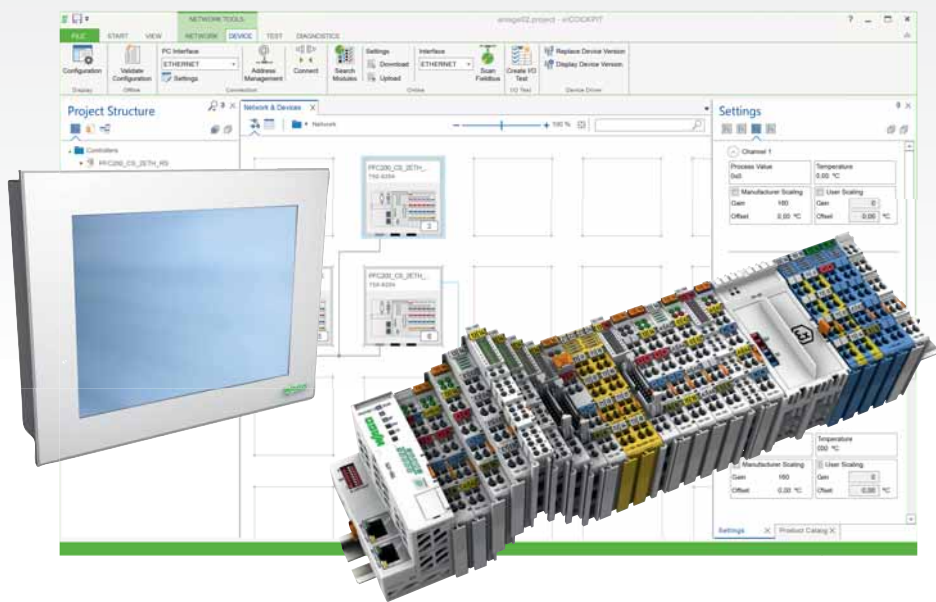


Automation Technology Interface Electronic

Supplementary Catalog to
Full Line Catalogs, Volumes 3/4
Edition 2015/1



**WE
INNOVATE!**



WAGO[®]

The new items in this catalog supplement products found in the following main catalogs

3/4

Volume 4
Interface Electronic



Volume 3
Automation Technology



Contents



Automation Technology

Volume 3

4



Interface Electronic

Volume 4

6 - 17



Marking

18

Item Number Index

19

Contents

Automation Technology



Software
DNP3 Configurator

4

Contents

Interface Electronic



Relay Modules

Relay Sockets with Miniature Switching Relay, 857 Series

6



Current Transformers

Plug-In Current Transformers with CAGE CLAMP® Connector, 855 Series

8 - 9



EPSITRON® CLASSIC Power

Switched-Mode Power Supply, 1-/2-Phase, 787 Series

10

Switched-Mode Power Supplies, 3-Phase, 787 Series

11 - 13



EPSITRON® COMPACT Power

DIN-Rail-Mount Module - DC/DC Converter, 787 Series

14



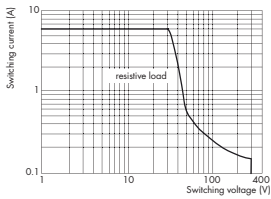
Potential Multiplication Modules

DIN-Rail-Mount Potential Multiplication Modules, 288 Series

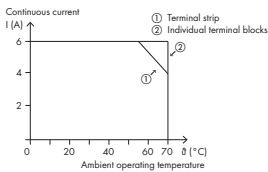
16 - 17

Relay with 1 changeover contact (1u)
for normal switching power
Nominal input voltage V_N
24 V ... 230 V AC/DC

Relay with 1 changeover contact (1u)
(gold contacts)
for normal switching power
Nominal input voltage V_N
24 V ... 230 V AC/DC

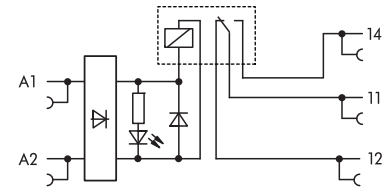
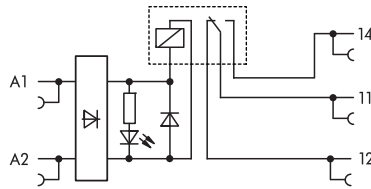


DC load limit curve



Derating

* To prevent the gold layer from being damaged, 30 VDC switching voltages and 50 mA currents shall not be exceeded. Higher switching power eventually evaporates the gold layer. The resulting deposits in the housing may reduce the service life.



Description	V_N	Item No.	Pack. Unit	V_N	Item No.	Pack. Unit
Relay socket with miniature switching relay, for DIN-rail	24 V ... 230 V AC/DC	857-359	25 (1)	24 V ... 230 V AC/DC	857-369	25 (1)

Technical Data

Coil:		
Input voltage range	$V_N - 30\% \dots +10\%$	$V_N - 30\% \dots +10\%$
Nominal input current I_N	3.5 mA at 230 VAC; 20 mA at 24 VDC	3.5 mA at 230 VAC; 20 mA at 24 VDC
Contacts:		
Contact material	AgNi	AgNi + Au
Max. continuous current	6 A	6 A*
Max. switching voltage	250 VAC	250 V AC*
Max. switching power (resistive)	1500 VA AC; DC see load limit curve	1500 VA AC; DC see load limit curve
Recommended minimum load	10 VDC / 10 mA, 24 VDC / 1 mA	1 VDC / 1 mA / 1 mW
Max. switching load with load/without load	6 min ⁻¹ / 60 min ⁻¹	6 min ⁻¹ / 60 min ⁻¹
Pull-in/drop-out/bounce time typ.	15 ms / 50 ms / 5 ms	15 ms / 50 ms / 5 ms
Mechanical life	5 x 10 ⁶ switching operations	5 x 10 ⁶ switching operations
Mechanical life at max. load (resistance)	5 x 10 ⁴ switching operations	5 x 10 ⁴ switching operations
General specifications:		
Nominal voltage to EN 60664-1	250 V / 4 kV / 2	250 V / 4 kV / 2
Dielectric strength, contact-coil (AC, 1 min)	4 kV _{rms}	4 kV _{rms}
Dielectric strength open contact (AC, 1 min)	1 kV _{rms}	1 kV _{rms}
Ambient operating temperature at V_N	-40 °C ... +70 °C	-40 °C ... +70 °C
Processing temperature	-25 °C ... +50 °C	-25 °C ... +50 °C
Storage temperature	-40 °C ... +70 °C	-40 °C ... +70 °C
Dimensions (mm) W x H x L	6 x 81 x 94	6 x 81 x 94
Wire connection	Height from upper-edge of DIN-rail CAGE CLAMP® S	Height from upper-edge of DIN-rail CAGE CLAMP® S
Cross sections	0.34 ... 2.5 mm ² / 22 ... 14 AWG	0.34 ... 2.5 mm ² / 22 ... 14 AWG
Strip lengths	9 ... 10 mm / 0.35 ... 0.39 in	9 ... 10 mm / 0.35 ... 0.39 in
Standards/Specifications	EN 60664-1; EN 61810-1; EN 61140; UL 508** ** (pending)	EN 60664-1; EN 61810-1; EN 61140; UL 508** ** (pending)

4 Plug-In Current Transformers

8 with CAGE CLAMP® Connector

	Plug-In Current Transformers Secondary rated current: 1 A	Plug-In Current Transformers Secondary rated current: 5 A
--	---	---

Short description:

The 855 Series Plug-In Current Transformers are inductive, single-conductor current transformers. Based on the principle of measurement, current transformers of this type are used exclusively in AC networks.

Features:

- Screwless CAGE CLAMP® connection technology
- Several mounting options available
- Vibration- and shock-resistant
- High mechanical retention forces
- High current-carrying capacity
- Continuous overload of 120 % the nominal primary current
- Low-voltage current transformer for max. operating voltages up to 1.2 kV
- Can be used in 690 V power networks
- UL recognized components



Description	I _{pN}	I _{sN}	S _N	G	Item No.	Pack. Unit	I _{pN}	I _{sN}	S _N	G	Item No.	Pack. Unit
Plug-in current transformer	600 A	1 A	5 VA	1	855-401/600-501	1	250 A	5 A	5 VA	1	855-405/250-501	1
	1500 A	1 A	5 VA	1	855-601/1500-501	1	1500 A	5 A	5 VA	1	855-605/1500-501	1
	2000 A	1 A	10 VA	1	855-801/2000-1001	1	2000 A	5 A	10 VA	1	855-805/2000-1001	1
	2500 A	1 A	10 VA	1	855-1001/2500-1001	1	2500 A	5 A	10 VA	1	855-1005/2500-1001	1
I _{pN} = Primary rated current I _{sN} = Secondary rated current S _N = Rated power G = Accuracy class												

Technical Data

Input:		
Rated continuous thermal current I _{cth}	1.2 x I _N	1.2 x I _N
Rated short-time thermal current I _{th}	60 x I _N (max.100 kA), 1 s	60 x I _N (max.100 kA), 1 s
Max. operating voltage V _m	1.2 kV	1.2 kV
Rated frequency	50 Hz ... 60 Hz	50 Hz ... 60 Hz
Overcurrent limiting factor	FS5 or FS10 (type-dependent, see type plate inscription)	FS5 or FS10 (type-dependent, see type plate inscription)
Environmental requirements:		
Ambient operating temperature	-5 °C ... +50 °C	-5 °C ... +50 °C
Storage temperature	-25 °C ... +70 °C	-25 °C ... +70 °C
Max. operating altitude	1000 m	1000 m
Safety and protection:		
Test voltage	6 kV _{rms} AC / 50 Hz / 1 min	6 kV _{rms} AC / 50 Hz / 1 min
Insulation class	E	E
Connection:		
Connection technology	CAGE CLAMP®	CAGE CLAMP®
Cross sections	0.08 mm ² ... 4 mm ² / 28 ... 12 AWG	0.08 mm ² ... 4 mm ² / 28 ... 12 AWG
Strip lengths	9 ... 10 mm / 0.37 in	9 ... 10 mm / 0.37 in
Standards and approvals:		
Conformity marking	CE	CE
Standards/Specifications	EN 61869-1; EN 61869-2	EN 61869-1; EN 61869-2
UL (Recognized Components)	E356480	E356480

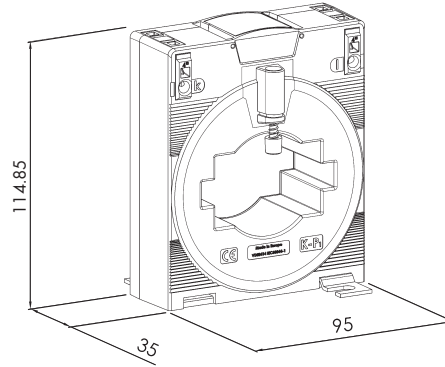
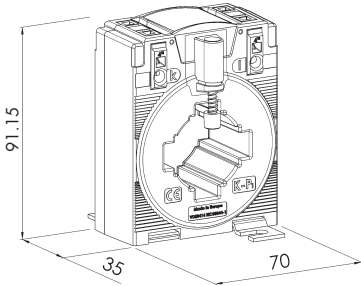
Accessories	Item No.	Pack. Unit
Carrier rail adapter for plug-in current transformers (for 855-3xx/xxxx-xxxx and 855-4xx/xxxx-xxxx)	855-9900	1
Quick-mount kit	855-9910	1
Operating tool, with partially insulated shaft, type 2, blade (3.5 x 0.5) mm	210-720	1
Connector assembly for current transformer	2007-8873	1

Dimensions:

855 Series

Item No.
855-4xx/xxxx-xxxx

Item No.
855-6xx/xxxx-xxxx

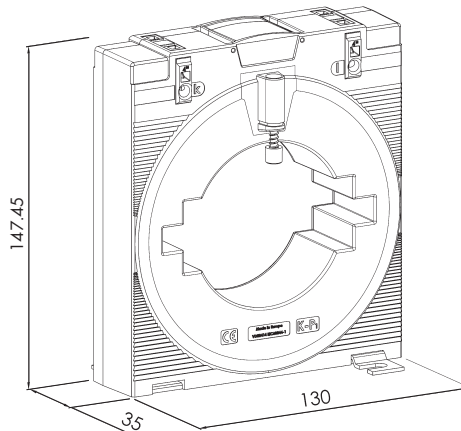
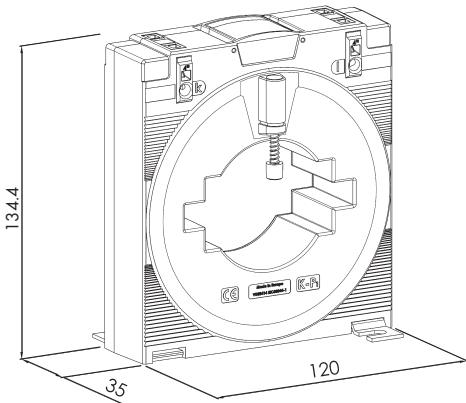


Carrier rail 1: 40 x 10 mm
Carrier rail 2: 30 x 15 mm
Round cable: 32 mm

Rail 1: 63 x 10 mm
Rail 2: 50 x 30 mm
Round cable: 44 mm

Item No.
855-8xx/xxxx-xxxx

Item No.
855-10xx/xxxx-xxxx



Rail 1: 80 x 10 mm
Rail 2: 60 x 30 mm
Round cable: 55 mm

Rail 1: 100 x 10 mm
Rail 2: 80 x 30 mm
Round cable: 70 mm

Simple termination! Quick and easy mounting!

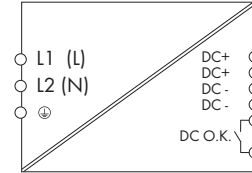


Note:

* The carrier rail adapter is only suitable for 855-3xx/xxxx-xxxx and 855-4xx/xxxx-xxxx transformers.

Switched-Mode Power Supply, 1-/2-Phase

EPSITRON® CLASSIC Power



- Primary switch mode power supply unit with TopBoost, enabling secondary-side protection via electronic circuit breakers
- Suitable for protection class I equipment
- Natural convection cooling when horizontally mounted
- Enclosed for use in switchgear cabinets
- DC OK contact
- Suitable for both parallel and series operation
- Electrically isolated output voltage (SELV) acc. to EN 60950-1/UL 60950-1

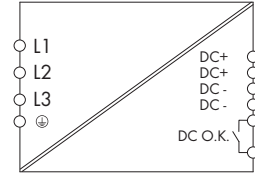
Description	Item No.	Pack. Unit
Switched-mode power supply, 24 VDC/ 5 A	787-1628	1

Technical Data	
Environmental requirements:	
Ambient operating temperature	-25 °C ... +70 °C; Device start at -40 °C type-tested
Storage temperature	-25 °C ... +85 °C
Relative humidity	5 % ... 96 % (no condensation permissible)
Derating	-2.5 %/K (> 55 °C)
Safety and protection:	
Test voltage PRI-SEC	4.2 kV DC
Protection class	Prepared for class I equipment
Degree of protection	IP20 (acc. to EN 60529)
Oversvoltage protection	Varistor (input side); internal protective circuit, < 40 VDC (output side in case of an error)
Short circuit protection	yes
No-load proof	yes
Feedback voltage	max. 35 VDC
Parallel operation	yes
Series connection	yes
Connection and mounting type:	
Wire connection	Input/Output/Signaling: WAGO 721 Series
Cross sections	Input/Output/Signaling: 0.08 mm ² ... 2.5 mm ² / 28 ... 12 AWG
Strip lengths	Input/Output/Signaling: 8 ... 9 mm / 0.31 ... 0.35 in
Mounting type	DIN-rail-mount (EN 60715)
Dimensions and weight:	
Dimensions (mm) W x H x L	42 x 127 x 137 Length from upper-edge of DIN-rail
Weight	600 g
Standards and specifications:	
Standards/Specifications	EN 60950-1, EN 61204-3, UL 60950-1, UL 508, GL* (* pending)

Technical Data	
Input:	
Nominal input voltage $V_{i\text{nom}}$	1 x (2 x) AC 200 ... 500 VAC
Input voltage range	180 ... 550 VAC; 254 ... 780 VDC
Input voltage derating	-0.5 % (< 200 VAC)
Frequency	44 Hz ... 66 Hz; 0 Hz
Input current I_i	1.25 A (200 VAC); 0.67 A (500 VAC)
Power factor	≥ 0.52
Inrush current	< 30 A, NTC
Mains failure hold-up time	126 ms (500 VAC); 15 ms (200 VAC)
Output:	
Nominal output voltage $V_{o\text{nom}}$	24 VDC (SELV)
Output voltage range	23 V ... 28.5 VDC adjustable
Factory preset	24 VDC
Output current I_o	5 A at 24 VDC
Adjustment accuracy	< 1 %
Residual ripple	30 mV (peak-to-peak) typ.
Current limitation	1.1 x I_o typ.
Overload behavior	Constant current
Operational indication	Green LED (V_o)
Signaling	DC OK contact; Make contact (max. 30 V / 1 A)
Efficiency/Power losses:	
Efficiency	89 % typ.
Power loss P_V	0.94 W (no load); 16.36 W (230 VAC, nominal load) 14.55 W (400 VAC, nominal load)
Max. power loss P_V	18.2 W (200 VAC / 24 VDC, 5 A)
Fuse protection:	
Internal fuse	T 3.15 A / 250 V
External fuse	Circuit breakers 6 A, 10 A, 16 A, characteristic: B or C An external DC fuse is required for the DC input voltage

Switched-Mode Power Supply, 3-Phase

EPSITRON® CLASSIC Power



- Primary switch mode power supply unit with TopBoost, enabling secondary-side protection via electronic circuit breakers
- Suitable for protection class I equipment
- Natural convection cooling when horizontally mounted
- Enclosed for use in switchgear cabinets
- DC OK contact
- Suitable for both parallel and series operation
- Electrically isolated output voltage (SELV) acc. to EN 60950-1/UL 60950-1

Technical Data

Input:

Nominal input voltage $V_{i, \text{nom}}$	3 x (2 x) AC 400 ... 500 VAC
Input voltage range	320 V ... 575 VAC; 450 V ... 800 VDC
Frequency	47 Hz ... 63 Hz; 0 Hz
Input current I_i	3 x 0.73 A (400 VAC); 3 x 0.66 A (500 VAC)
Inrush current	< 30 A, NTC
Mains failure hold-up time	50 ms (500 VAC); 21 ms (400 VAC)

Output:

Nominal output voltage $V_{o, \text{nom}}$	24 VDC (SELV)
Output voltage range	23 V ... 28.5 VDC adjustable
Factory preset	24 VDC
Output current I_o	10 A at 24 VDC
Adjustment accuracy	< 1 %
Residual ripple	50 mV (peak-to-peak) typ.
Current limitation	1.1 x I_o typ.
Overload behavior	Constant current
Operational indication	Green LED (V_o)
Signaling	DC OK contact; Make contact (max. 30 V / 1 A)

Efficiency/Power losses:

Efficiency	90 % typ.
Power loss P_V	2.1 W (no load); 27.9 W (400 VAC, nominal load)
Max. power loss P_V	28.3 W (500 VAC / 24 VDC, 10 A)

Fuse protection:

Internal fuse	-
External fuse	3 x circuit breakers 10 A, 16 A, B or C characteristic; or motor circuit breakers An external DC fuse required for DC input voltage

Description

Switched-mode power supply,
24 VDC/ 10 A

Item No.

787-1640

Pack.
Unit

1

Technical Data

Environmental requirements:

Ambient operating temperature	-25 °C ... +70 °C; Device start at -40 °C type-tested
Storage temperature	-25 °C ... +85 °C
Relative humidity	5 % ... 96 % (no condensation permissible)
Derating	-2.5 %/K (> 55 °C)

Safety and protection:

Test voltage PRI-SEC	4.2 kV DC
Protection class	Prepared for class I equipment
Degree of protection	IP20 (acc. to EN 60529)
Overvoltage protection	Varistor (input side); internal protective circuit, < 41 VDC (output side in case of an error)
Short circuit protection	yes
No-load proof	yes
Feedback voltage	max. 35 VDC
Parallel operation	yes
Series connection	yes

Connection and mounting type:

Wire connection	Input/Output/Signaling: WAGO 721 Series
Cross sections	Input/Output/Signaling: 0.08 mm ² ... 2.5 mm ² / 28 ... 12 AWG
Strip lengths	Input/Output/Signaling: 8 ... 9 mm / 0.31 ... 0.35 in
Mounting type	DIN-rail-mount (EN 60715)

Dimensions and weight:

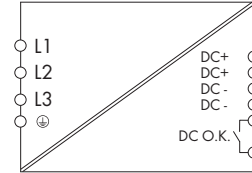
Dimensions (mm) W x H x L	55 x 127 x 171 Length from upper-edge of DIN-rail
Weight	1000 g

Standards and specifications:

Standards/Specifications	EN 60950-1, EN 61204-3, UL 60950-1, UL 508, GL* (* pending)
--------------------------	---

Switched-Mode Power Supply, 3-Phase

EPSITRON® CLASSIC Power



- Primary switch mode power supply unit with TopBoost, enabling secondary-side protection via electronic circuit breakers
- Suitable for protection class I equipment
- Natural convection cooling when horizontally mounted
- Enclosed for use in switchgear cabinets
- DC OK contact
- Suitable for both parallel and series operation
- Electrically isolated output voltage (SELV) acc. to EN 60950-1/UL 60950-1

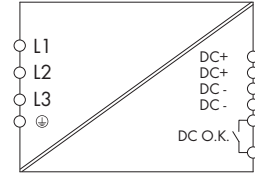
Description	Item No.	Pack. Unit
Switched-mode power supply, 24 VDC/ 20 A	787-1642	1

Technical Data	
Environmental requirements:	
Ambient operating temperature	-25 °C ... +70 °C;
	Device start at -40 °C type-tested
Storage temperature	-25 °C ... +85 °C
Relative humidity	5 % ... 96 % (no condensation permissible)
Derating	-2.5 %/K (> 55 °C)
Safety and protection:	
Test voltage PRI-SEC	4.2 kV DC
Protection class	Prepared for class I equipment
Degree of protection	IP20 (acc. to EN 60529)
Oversvoltage protection	Varistor (input side); internal protective circuit, < 40 VDC (output side in case of an error)
Short circuit protection	yes
No-load proof	yes
Feedback voltage	max. 35 VDC
Parallel operation	yes
Series connection	yes
Connection and mounting type:	
Wire connection	Input/Signaling: WAGO 721 Series Output: WAGO 831 Series
Cross sections	Input/Signaling: 0.08 mm ² ... 2.5 mm ² / 28 ... 12 AWG Output: 0.5 mm ² ... 10 mm ² / 20 ... 8 AWG
Strip lengths	Input/Signaling: 8 ... 9 mm / 0.31 ... 0.35 in Output: 13 ... 15 mm / 0.51 ... 0.59 in
Mounting type	DIN-rail-mount (EN 60715)
Dimensions and weight:	
Dimensions (mm) W x H x L	80 x 127 x 180 Length from upper-edge of DIN-rail
Weight	1500 g
Standards and specifications:	
Standards/Specifications	EN 60950-1, EN 61204-3, UL 60950-1, UL 508, GL* (* pending)

Technical Data	
Input:	
Nominal input voltage $V_{i, nom}$	3 x (2 x) AC 400 ... 500 VAC
Input voltage range	320 V ... 575 VAC; 450 V ... 800 VDC
Frequency	47 Hz ... 63 Hz; 0 Hz
Input current I_i	3 x 1.21 A (400 VAC); 3 x 1.03 A (500 VAC)
Inrush current	< 30 A, NTC
Mains failure hold-up time	25 ms (500 VAC); 15 ms (400 VAC)
Output:	
Nominal output voltage $V_{o, nom}$	24 VDC (SELV)
Output voltage range	23 V ... 28.5 VDC adjustable
Factory preset	24 VDC
Output current I_o	20 A at 24 VDC
Adjustment accuracy	< 1 %
Residual ripple	15 mV (peak-to-peak) typ.
Current limitation	1.1 x I_o typ.
Overload behavior	Constant current
Operational indication	Green LED (V_o)
Signaling	DC OK contact; Make contact (max. 30 V / 1 A)
Efficiency/Power losses:	
Efficiency	92 % typ.
Power loss P_V	5.8 W (no load); 42.8 W (400 VAC, nominal load)
Max. power loss P_V	47.6 W (500 VAC / 24 VDC, 20 A)
Fuse protection:	
Internal fuse	-
External fuse	3 x circuit breakers 10 A, 16 A, B or C characteristic; or motor circuit breakers An external DC fuse required for DC input voltage

Switched-Mode Power Supply, 3-Phase

EPSITRON® CLASSIC Power



- Primary switch mode power supply unit with TopBoost, enabling secondary-side protection via electronic circuit breakers
- Suitable for protection class I equipment
- Natural convection cooling when horizontally mounted
- Enclosed for use in switchgear cabinets
- DC OK contact
- Suitable for both parallel and series operation
- Electrically isolated output voltage (SELV) acc. to EN 60950-1/UL 60950-1

Technical Data

Input:

Nominal input voltage $V_{i, \text{nom}}$	3 x (2 x) AC 400 ... 500 VAC
Input voltage range	320 V ... 575 VAC; 450 V ... 800 VDC
Frequency	47 Hz ... 63 Hz; 0 Hz
Input current I_i	3 x 2.15 A (400 VAC); 3 x 1.82 A (500 VAC)
Inrush current	< 30 A, NTC
Mains failure hold-up time	25 ms (500 VAC); 15 ms (400 VAC)

Output:

Nominal output voltage $V_{o, \text{nom}}$	24 VDC (SELV)
Output voltage range	23 V ... 28.5 VDC adjustable
Factory preset	24 VDC
Output current I_o	40 A at 24 VDC
Adjustment accuracy	< 1 %
Residual ripple	30 mV (peak-to-peak) typ.
Current limitation	1.1 x I_o typ.
Overload behavior	Constant current
Operational indication	Green LED (V_o)
Signaling	DC OK contact; Make contact (max. 30 V / 1 A)

Efficiency/Power losses:

Efficiency	92 % typ.
Power loss P_V	4.2 W (no load); 83.9 W (400 VAC, nominal load)
Max. power loss P_V	83.9 W (500 VAC / 24 VDC, 40 A)

Fuse protection:

Internal fuse	-
External fuse	3 x circuit breakers 10 A, 16 A, B or C characteristic; or motor circuit breakers An external DC fuse required for DC input voltage

Description	Item No.	Pack. Unit
Switched-mode power supply, 24 VDC/ 40 A	787-1644	1

Technical Data

Environmental requirements:

Ambient operating temperature	-25 °C ... +70 °C;
Storage temperature	Device start at -40 °C type-tested
Relative humidity	-25 °C ... +85 °C
Derating	5 % ... 96 % (no condensation permissible)
	-2.5 %/K (> 55 °C)

Safety and protection:

Test voltage PRI-SEC	4.2 kV DC
Protection class	Prepared for class I equipment
Degree of protection	IP20 (acc. to EN 60529)
Overvoltage protection	Varistor (input side); internal protective circuit, < 40 VDC (output side in case of an error)
Short circuit protection	yes
No-load proof	yes
Feedback voltage	max. 35 VDC
Parallel operation	yes
Series connection	yes

Connection and mounting type:

Wire connection	Input/Signaling: WAGO 721 Series Output: WAGO 831 Series
Cross sections	Input/Signaling: 0.08 mm ² ... 2.5 mm ² / 28 ... 12 AWG Output: 0.5 mm ² ... 10 mm ² / 20 ... 8 AWG
Strip lengths	Input/Signaling: 8 ... 9 mm / 0.31 ... 0.35 in Output: 13 ... 15 mm / 0.51 ... 0.59 in
Mounting type	DIN-rail-mount (EN 60715)

Dimensions and weight:

Dimensions (mm) W x H x L	126 x 127 x 198
Weight	Length from upper-edge of DIN-rail 2800 g

Standards and specifications:

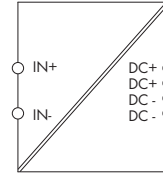
Standards/Specifications	EN 60950-1, EN 61204-3, UL 60950-1, UL 508, GL* (* pending)
--------------------------	---

DIN-Rail-Mount Module – DC/DC Converter

EPSITRON® COMPACT Power



Similar to picture



- Primary switch mode power supply unit
- Suitable for protection class II equipment
- Natural convection cooling when horizontally mounted
- Stepped profile, ideal for distribution boards or distribution boxes
- Suitable for both parallel and series operation
- Electrically isolated output voltage (SELV) acc. to EN 60950-1/UL 60950-1

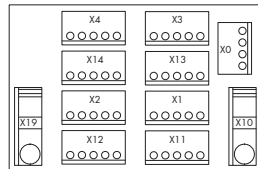
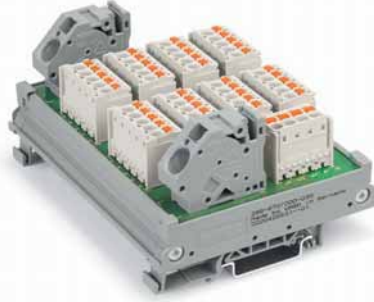
Description	Item No.	Pack. Unit
Switched-mode power supply, 24 VDC / 2.0 A	787-1014/072-000	1

Technical Data	
Input:	
Nominal input voltage $V_{i\text{nom}}$	72 V DC
Input voltage range	40–90 VDC
Frequency	0 Hz
Input current I_i	0.79 A at 72 VDC
Inrush current	< 30 A, NTC
Mains failure hold-up time	> 8 ms at 72 V DC
Output:	
Nominal output voltage $V_{o\text{nom}}$	24 VDC, SELV
Factory preset	24 VDC
Output current I_o	2.0 A at 24 VDC
	max. 1.6 A in any mounting position
Adjustment accuracy	< 2 %
Residual ripple	< 100 mV _{pp} at 20 MHz
Current limitation	1.1 x I_o typ.
Overload behavior	Constant current
Operational indication	Green LED (V_o)
Efficiency/Power losses:	
Efficiency	84 % typ.
Power loss P_v	2.0 W (72 VDC/no load), 9.0 W (72 VDC/nominal load)
Max. power loss P_v	10,5 W typ. (40 VDC / 24 VDC, 2 A)
Fuse protection:	
Internal fuse	4 AT (125 V DC)
External fuse	6 A, 10 A power circuit breakers, B, C characteristics

Technical Data	
Environmental requirements:	
Ambient operating temperature	-40 °C ... +70 °C
Storage temperature	-40 °C ... +85 °C
Relative humidity	5 % ... 96 % (coated PCB)
Derating	-1.5 %/K (> 55 °C)
Degree of pollution	2 (acc. to EN 50178)
Climatic category	3K3 (acc. to EN 60721)
Shock and vibration	Category 1, class B (acc. to EN 61373:2010)
Safety and protection:	
Enclosure	Plastic, light gray, Flammability class V0 acc. to UL94
Test voltage PRI-SEC	4.2 kV DC
Protection class	Prepared for class II equipment
Degree of protection	IP20 acc. to EN 60529
Overvoltage protection	Varistor (input side); internal protective circuit, < 40 VDC (output side in case of an error)
Short circuit protection	yes
No-load proof	yes
Feedback voltage	max. 35 VDC
Parallel operation	yes
Series connection	yes
MTBF	> 500000 h
Connection and mounting type:	
Wire connection	Input/Output: WAGO 740 Series
Cross sections	Input/Output: 0.08 mm ² ... 2.5 mm ² / 28 ... 12 AWG
Strip lengths	Input/Output: 6 ... 7 mm / 0.24 ... 0.28 in
Mounting type	DIN-rail-mount (EN 60715)
Dimensions and weight:	
Dimensions (mm) W x H x L	72 x 89 x 59
	Height: 55 mm, from upper-edge of DIN-rail
Weight	250 g
Standards and specifications:	
Standards/Specifications	EN 60950, EN 61204-3, EN 50121*, EN 50125*, UL 60950*, UL 508*, GL* * (pending)

DIN-rail-mount potential multiplication module,
4 potentials with each 24 VDC
with 5 connection points of 24 V
and 5 connection points of 0 V

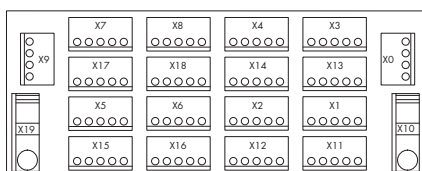
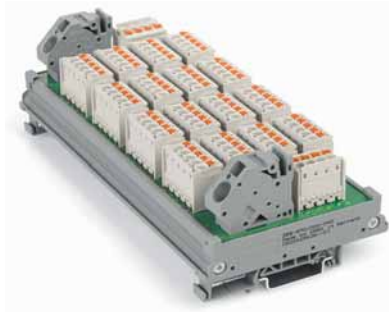
- May be used with electronic circuit breakers for 24 and 0 VDC power distribution as a substitute for DIN-rail-mount terminal blocks
- Pre-wiring and electrical isolation of current paths via pluggable *picoMAX*[®] Female Headers
- Optional coding pins (2092-1610) protect against any inadvertent mixing of female headers
- Optional gripping plates with sliding connector release (2092-1601/002-000 or 2092-1602/002-000) provide conductor strain relief
- Optional 0 V power supply commoning to adjacent modules via 745-682 Comb-Style Jumper Bar



Description	Item No.	Pack. Unit
Potential multiplication module	288-870/000-030	1
Technical Data		
Max. operating voltage per potential	24 VDC	
Number of potentials	4	
Max. total current per potential	10 A	
Max. total current 0 V	40 A	
Max. current per connection	10 A	
Ambient operating temperature	-25 °C ... +70 °C (no condensation)	
Storage temperature	-40 °C ... +85 °C	
Dimensions, incl. mounting carrier and combination feet (mm) W x H x L	85 x 49 x 100	
Wire connection	Height from upper-edge of DIN-rail Power supply 0 V: CAGE CLAMP [®] (WAGO 745 Series) Power supply 24 V, connection points: CAGE CLAMP [®] S (picoMAX [®] 5.0, WAGO 2092 Series)	
Cross sections	Power supply 0 V: 0.2 mm ² ... 16 mm ² / AWG 24 ... 6 Power supply 24 V, connection points: 0.2 mm ² ... 2.5 mm ² / 24 ... 12 AWG (THHN, THWN)	
Strip lengths	Power supply 0 V: 12 ... 13 mm / 0.47 ... 0.51 in Power supply 24 V, connection points: 9 ... 10 mm / 0.35 ... 0.39 in	
Mounting direction	Power supply 0 V: 45° Power supply 24 V, connection points: vertical	
Mounting type	DIN-rail-mount (EN 60715)	
Accessories		
Coding key carrier	2092-1610	
Gripping plate with sliding connector release, 3- to 4-pole	2092-1601/002-000	
Gripping plate with sliding connector release, 5- to 8-pole	2092-1602/002-000	
Comb-style jumper bar; 2-way	745-682	

**DIN-rail-mount potential multiplication module,
8 potentials with each 24 VDC
with 5 connection points of 24 V
and 5 connection points of 0 V**

- May be used with electronic circuit breakers for 24 and 0 VDC power distribution as a substitute for DIN-rail-mount terminal blocks
- Pre-wiring and electrical isolation of current paths via pluggable *picoMAX*[®] Female Headers
- Optional coding pins (2092-1610) protect against any inadvertent mixing of female headers
- Optional gripping plates with sliding connector release (2092-1601/002-000 or 2092-1602/002-000) provide conductor strain relief
- Optional 0 V power supply commoning to adjacent modules via 745-682 Comb-Style Jumper Bar (Derating with jumper bar:
-1 A/K > 60 °C ambient operating temperature)



Description	Item No.	Pack. Unit
Potential multiplication module	288-870/000-040	1
Technical Data		
Max. operating voltage per potential	24 VDC	
Number of potentials	8	
Max. total current per potential	10 A	
Max. total current 0 V	76 A	
Max. current per connection	10 A	
Ambient operating temperature	-25 °C ... +70 °C (no condensation)	
Storage temperature	-40 °C ... +85 °C	
Dimensions, incl. mounting carrier and combination feet (mm) W x H x L	85 x 49 x 154	
Wire connection	Height from upper-edge of DIN-rail Power supply 0 V: CAGE CLAMP [®] (WAGO 745 Series) Power supply 24 V, connection points: CAGE CLAMP [®] S (picoMAX [®] 5.0, WAGO 2092 Series)	
Cross sections	Power supply 0 V: 0.2 mm ² ... 16 mm ² / AWG 24 ... 6 Power supply 24 V, connection points: 0.2 mm ² ... 2.5 mm ² / 24 ... 12 AWG (THHN, THWN)	
Strip lengths	Power supply 0 V: 12 ... 13 mm / 0.47 ... 0.51 in Power supply 24 V, connection points: 9 ... 10 mm / 0.35 ... 0.39 in	
Mounting direction	Power supply 0 V: 45°	
Mounting type	Power supply 24 V, connection points: vertical DIN-rail-mount (EN 60715)	
Accessories		
Coding key carrier	2092-1610	
Gripping plate with sliding connector release, 3- to 4-pole	2092-1601/002-000	
Gripping plate with sliding connector release, 5- to 8-pole	2092-1602/002-000	
Comb-style jumper bar; 2-way	745-682	

Item Number Index

Item No.	Page	Item No.	Page	Item No.	Page	Item No.	Page
210 Series							
210-720	8						
258 Series							
258-5010	18						
Serie 288 Series							
288-870/000-030	16						
288-870/000-040	17						
745 Series							
745-682	16						
787 Series							
787-1014/072-000	14						
787-1628	10						
787-1640	11						
787-1642	12						
787-1644	13						
855 Series							
855-401/600-501	8						
855-405/250-501	8						
855-601/1500-501	8						
855-605/1500-501	8						
855-801/2000-1001	8						
855-805/2000-1001	8						
855-1001/2500-1001	8						
855-1005/2500-1001	8						
855-9900	8						
855-9910	8						
857 Series							
857-359	6						
857-369	6						
2007 Series							
2007-8873	8						
2009 Series							
2009-615	18						
2092 Series							
2092-1601/002-000	16						
2092-1602/002-000	16						
2092-1610	16						

WAGO Worldwide

- Companies and Representatives -

Algeria
please contact WAGO France

Argentina
Bruno Schillig S.A.
Arenales 4030, B1604CFD
Florida, PBA
Phone +54 11 4730 1100
Fax +54 11 4761 7244
wago@schillig.com.ar

Australia
Kontakt Group
Building Automation & WINSTA Systems
Office: 730 Springvale Rd
Mulgrave Victoria 3170
P.O. Box 3003, Wheelers Hill VIC 3150
Tel. +61 03 95602757
Fax +61 03 95601727
sales@kontaktgroup.com.au

NHP ELECTRICAL ENGINEERING PRODUCTS PTY LTD
43-67 River Street
Richmond, Victoria, 3121, P.O. Box 199
Phone +61 3 9429 2999
Fax +61 3 9429 1075
export@wago.com

Austria
WAGO Kontakttechnik Ges.m.b.H.
Laxenburger Straße 244
1230 Wien
Phone +43 1 6150780
Fax +43 1 6150775
info.at@wago.com

Azerbaijan
AZ Technics LTD
Zulfi V. Alizade
Y.Safarov str.33 , AZ1025,
Baku
Republic of Azerbaijan
Tel. +994 12 4968335
Fax +994 12 4968334
info@AZtechnics.az

Belarus
OOO FEK
pr-t Pushkina 29-B
220015 Minsk
Phone +375 17 2102189
Fax +375 17 2102189
wago@fek.by

UE ATAVA
ul. Denisovskaya, 47, office 1
220006 Minsk
Phone +375 17 2054015
Fax +375 17 2851759

Belgium
WAGO Kontakttechnik
Excelsiorlaan 11
1930 Zaventem
Phone +32 2 7179090
Fax +32 2 7179099
info-be@wago.com

Bolivia
Kohn s.r.l.
Barrio Conifag
C/Toborochi #6, Zona Norte
Santa Cruz
Tel. +591 3 3120272
Fax +591 3 3120272

Bosnia and Herzegovina
please contact WAGO Bulgaria

Brazil
WAGO Eletroeletrônicos Ltda
Rua Américo Simões 1470
São Roque da Chave
Itupeva SP Brasil 13295-000
Phone +55 11 4591 0199
Fax +55 11 4591 0190
info.br@wago.com

Bulgaria
WAGO Kontakttechnik GmbH & Co. KG/
Representative Office Sofia
Business Center Serdika
2E Akad. Ivan Geshov Blvd.
Building 1, Floor 4, Office 417
1330 Sofia
Tel. +359 2 489 46 09
Fax +359 2 928 28 50
info-BG@wago.com

Canada
please contact WAGO USA

Chile
Desimat Chile
Av Puerto Vespuccio 9670
Pudahuel Santiago
Phone +56 2 7470152
Fax +56 2 7470153
ventaschile@desimat.cl

China
WAGO ELECTRONIC (TIANJIN) Co. LTD
No.5, Quan Hui Road, Wuqing Development Area
Tianjin 301700
Phone +86 22 59617688
Fax +86 22 59617668
info-cn@wago.com

Columbia
T.H.L. Ltda.
Cra. 49 B # 91-33
Bogotá
Phone +57 1 621 85 50
Fax +57 1 621 60 28
ventas.thl@thltda.com

Croatia
M.B.A. d.o.o. za trgovinu i zastupanje
Frana Supila 5
51211 Matulji HR
Phone +385 51 275-736
Fax +385 51 275-066
mba@ri.hinet.hr

GENERA CTR d.o.o.
- just for automation technology -
Siget 18 b
10020 Zagreb
Phone +385 13647849
Fax +385 13636662
wago@geneza.hr

Czech Republic
WAGO Elektro spol. sr. o.
Rozvodova 1116/36
143 00 Praha 4 - Modřany
Phone +420 261 090 143
Fax +420 261 090 144
info.cz@wago.com

Denmark
WAGO Danmark
Filial of WAGO Kontakttechnik GmbH & Co. KG
Lejrvej 17
3500 Værløse
Phone +45 44 357777
Fax +45 44 357787
salg.dk@wago.com

Ecuador
ECUAINSETEC CIA LTDA
El Zurriago E9-32 y el Vengador
Quito
Tel. +593 2 2 26 91 48
Fax +593 2 2 46 18 33
g.castro@ecuainsetec.com.ec

Egypt
IBN Engineering Instrumentation & Control
71 a El Shaheed Ahmed Hamdi St.
King Faisal, Giza
Phone +20 2 7214350
Fax +20 2 7221709
sales@ibnengineering.com

Estonia
Eltarko OÜ
Laki 14 - 502
10621 Tallinn
Phone +372 651 7731
Fax +372 651 7786
andres@eltarko.ee

Finland
WAGO Kontakttechnik GmbH & Co. KG
Filial i Finland
Vellamonkatu 30 B
00550 Helsinki
Phone +358 9 7744 060
Fax +358 9 7744 0660
tilaus@wago.fi

France
WAGO CONTACT SAS
Paris Nord 2
83 Rue des Chardonnerets
B.P. 55065 - Tremblay en France
95947 - ROISSY CDG CEDEX
Phone +33 1 48172590
Fax +33 1 48632520
info-fr@wago.com

Germany
WAGO Kontakttechnik GmbH & Co. KG
Postfach 28 80, 32385 Minden
Hansastrasse 27
32423 Minden
Phone +49 571 887-0
Fax +49 571 887-169
info@wago.com

WAGO Kontakttechnik GmbH & Co. KG
Waldstraße 1
99706 Sondershausen
Phone +49 3632 659-0
Fax +49 3632 659-100
info@wago.com

Great Britain
WAGO Limited
Triton Park, Swift Valley Industrial Estate
RUGBY
Warwickshire, CV21 1SG
Phone +44 1788 568008
Fax +44 1788 568050
uksales@wago.com

Greece
PANAGIOTIS SP. DIMOULAS - BIOMAT
DIMOULAS AUTOMATIONS
Kritis Str. 26
10439 Athen
Tel. +30 210 883 3337
Fax +30 210 883 4436
wago.info@dimoulas.com.gr

Honduras
CILASAS S.A. de C.V.
Barrio Los Andes
7 Calle entre 14 y 15 Ave. N.O.
P.O. Box. 1061
San Pedro Sula
Tel. +504 25571146/7
Fax +504 25571149

Hong Kong
National Concord Eng., Ltd.
Unit A-B, 5/F,
Southeast Industrial Building
611-619 Castle Peak Road
Tuen Wan, N.T.
Phone +852 24292611
Fax +852 24292164
sales@nce.com.hk

Hungary
WAGO Hungária KFT
Ipari Park, Gyár u. 2
2040 Budapest
Phone +36 23 502-170
Fax +36 23 502-166
info.hu@wago.com

Iceland
S. Gudjonsson ehf.
Audbrekkur 9-11
202 Kopavogur
Phone +354 520-4500
Fax +354 520-4501
export@wago.com

India
WAGO LTD.
C-27, Sector-58, Phase-III
Noida-201 301
Gautam Budh Nagar (U.P.)
Tel. +91 120 2 580409 10
Fax +91 120 2 580081
info@wagoindia.com

Indonesia
please contact WAGO Singapore

Iraq
please contact WAGO Middle East

Ireland
Drives & Controls
Unit F4, Riverview Business Park
Nangor Road
Dublin 12
Phone +353 1 4604474
Fax +353 1 4604507
wago@drivesandcontrols.ie

Israel
Comtel Israel Electronic Solutions Ltd.
Bet Hapaamon
20 Hataas Street
P.O. Box 66
44425 Kfar-Saba
Phone +972 9 76 77 240
Fax +972 9 76 77 243
sales@comtel.co.il

Italy
WAGO ELETTRONICA SRL a Socio Unico
Via Parini 1
40033 Casalecchio di Reno (BO)
Tel. +39 051 6132112
Fax +39 051 6272174
info-ita@wago.com

Japan
WAGO Co. of JAPAN Ltd.
Nittetsu ND-Tower Building 4F
5-7, Kameido 1-chome
Koto-Ku
Tokyo 136-0071
Tel. +81 3 5627 2050
Fax +81 3 5627 2055
info-jp@wago.com

Jordan
please contact WAGO Middle East

Kazakhstan
TOO INTANT
ul. Muratbaeva, d. 61
050026 Almaty
Tel. +7 727 2371492
Fax +7 727 2980151
info@intant.kz

TOO Technik-Trade
ul. i. A. Protosanova, 81
070004 Ust-Kamenogorsk
Tel. +7 7232 254064
Fax +7 7232 253251
info@technik.kz

ITC Electronics: Almaty
Prospekt Raiymbeka 221 ?/4
050016 Almaty
Kazakhstan
Tel. +7 727 2797117
Fax +7 727 2339344

Korea
WAGO Korea Co., Ltd.
#205 Anyang Mega Valley
Dongan-gu, Anyang-si
Kyunggi-do, South Korea
Phone +82 3142 12470
export@wago.com

Kosovo
please contact WAGO Bulgaria

Latvia
INSTABALT LATVIA SIA
Vestienas iela 6
Riga, LV-1035
Phone +371 790 1188
Fax +371 790 1180
info@instabalt.lv

Lebanon
Gemayel Trading & Contracting
Antonins Project
P.O. BOX 70-1096
Antelias, Lebanon
Phone +961 4 521 029
Fax +961 4 521 029
gtc.libanon@gmail.com

Lithuania
INSTABALT LIT UAB
Savanoriu 187
Vilnius, 2053
Phone +370 52 322 295
Fax +370 52 322 247
info@instabalt.lt

Luxembourg

please contact WAGO Belgium

Macedonia

please contact WAGO Bulgaria

Kompjuner Inzenering
Vladimir Komarov 1A-3/9
1000 Skopje
Republic of Macedonia
Tel. +389 2 521 12 00
Tel. +389 2 246 11 08

Malaysia

WAGO Representative Office Malaysia
No 806, Block A4, Leisure Commerce Square,
No 9, Jalan PJS 8/9, 46150 Petaling Jaya,
Selangor Darul Ehsan, Malaysia
Tel. +60 3 7877 1776
Fax +60 3 7877 2776
kian.guan.tan@wago.com

HPH Materials (M) Sdn Bhd
No. 4, Jalan Nilam 1/6
Suban Hi-Tech Industrial Park
40000 Shah Alam
Selangor, D.E. Malaysia
Tel. +60 3 5638 2213
Fax +60 3 5638 8213
info@hphmaterials.com

Mexico

WAGO SA de CV
Av. Del Marques 38 Bodega 3
P. I. Bernardo Quintana
76240 El Marques, Querétaro
Phone +52 442 221 5946
Fax +52 442 221 5063
Toll-Free: 001-800-309-5975
info.mx@wago.com

Moldova

Electroservice Slavinschi T.T.
str. Bolgarskaia 9, office 6
2001 Kishinev
Phone +373 22 274427
Fax +373 22 224481
es@es.mldnet.com

Morocco

please contact WAGO France

Netherlands

WAGO Nederland
Laan van de Ram 19
7234 BW APELDOORN
Tel. +31 55 36 83 500
Fax +31 55 36 83 599
info-nl@wago.com

New Zealand

NHP NZ
7 Lockhart Place
Mt Wellington
New Zealand
Phone +64 9 2761967
Fax +64 9 2761992
export@wago.com

Nigeria

GIL Automations Ltd.
Daily Times Complex
2 Lateef Jakande Rd., Agidingbi
100271 Ikeja, Lagos State
Tel. +234 17132672335
sales@gilautomation.com

Norway

WAGO Norge NUF
Jerikoveien 20
1067 Oslo
Phone +47 22 30 94 50
Fax +47 22 30 94 51
info.no@wago.com

Oman

please contact WAGO Middle East

Pakistan

FuziLogix Automation & Control
Suit No. 14, 5th Floor, Shan Arcade
New Garden Town, Lahore
Pakistan
Phone +92 42 594 1503 - 4
Fax +92 42 585 1431
info@fuzilogix.com

Peru

Manufacturas Eléctricas S.A.
Av. O.R. Benavides 1215
15000 Lima
Tel. +511 6196200
Fax +5111 6196247

Philippines

please contact WAGO Singapore

Poland

WAGO ELWAG sp. z o. o.
ul. Piekna 58 a
50-506 Wrocław
Phone +48 71 3602970
Fax +48 71 3602999
wago.elwag@wago.com

Portugal

MORGADO & CA. LDA - SEDE
Estrada Exterior da
Circunvalação 3558/3560
Apartado 1057
4435 Rio Tinto
Phone +351 22 9770600
Fax +351 22 9770699
geral@morgadocl.pt

Qatar

please contact WAGO Middle East

Romania

WAGO Kontakttechnik GmbH & Co. KG/
Representative Office Bukarest
Str. Nicolae G. Caramfil Nr. 26
Bl. 1D, Et. 3, Ap. 7, Sect. 1, OP 52
014144-Bucuresti
Tel. +40(0)31 421 85 68
info-RO@wago.com

VDR & Servicii srl
Str. Valeriu Braniște, nr. 60, ap.1, sector 3
Romania
Tel. +40 21 3225074/76
Fax +40 21 3225075
office@componente-automatizari.ro

Russia

OOO WAGO Kontakt Rus
Dmitrovskoe shosse, 157, bldg. 12/5
127411 Moscow
Russia
Phone +7 495 663-3305
Fax +7 495 663-3308
info.ru@wago.com

WAGO Branch office
Ekaterinburg
Tel. +7 343 216 3426

WAGO Branch office
Novosibirsk
Tel. +7 383 217 9244

WAGO Branch office
St. Petersburg
Tel. +7 812 312 1918

Saudi Arabia

Saudi Electronic Trading Company (SETRA)
P.O. Box 60712
11555-Riyadh
Tel. +966 1 2062277
Fax +966 1 2062277
khaled.wafai@setra.com.sa

Serbia

über WAGO Bulgarien

Avalon Partners doo
Patrijarha Dimitrija 24
11000 Beograd
Tel. +381 11 2685311
Fax +381 11 2685311
office@avalon.rs

Sigma doo
Balzakova 3
21000 Novi Sad
Tel. +381 21 468431
Fax +381 21 6361785
office@sigmadoo.co.rs

Singapore

WAGO Electronic Pte Ltd
No. 10 Upper Aljunied Link #04-04
Singapore 367904
Phone +65 62866776
Fax +65 62842425
info-sing@wago.com

Slovakia

WAGO Elektrik spol. s. r. o.
Odborárska 52
83102 Bratislava
Tel. +421 2 45692503
export@wago.com

Proelektro spol. s. r. o.
Na barine 22
841 03 Bratislava - Lamač
Tel. +421 2 4569 2503
info@wago.sk

Slovenia

GENERA d.o.o.
Prevale 10
1236 Trzin
Phone +386 14393050
Fax +386 14393090
genera@genera.si

IC elektronika d.o.o.
Vodovodna cesta 100
1000 Ljubljana
Phone +386 15680110
Fax +386 15689107
info@ic-elect.si

South Africa

Shorrock Automation (Pty) Ltd
Postnet Suite # 219
Private Bag X 8, Elardus Park
0047 PRETORIA
Tel. +27 12 4500300
Fax +27 12 4500322
sales@shorrock.co.za

Spain

DICOMAT S.L.
Avda. de la Industria, 36
Apartado Correos, 1.178
28108 - Alcobendas (Madrid)
Phone +34 91 6621362
Fax +34 91 6610089
info@dicomat.com

Sweden

WAGO Sverige
WAGO Kontakttechnik GmbH
Tyskland Filial
Box 11127, 161 11 BROMMA
Besöksadress: Adolfsbergsv. 31
Tel. +46 858410680
Fax +46 858410699
info.se@wago.com

Switzerland

WAGO CONTACT SA
Rte. de l'Industrie 19
Case Postale 168
1564 Domdidier
Phone +41/26 676 75 86
Fax +41/26 676 75 01
info.switzerland@wago.com

Syria

Zahabi Co.
8/5 Shouhadaa St., P.O. Box 8262
Aleppo
Phone +963 21 21 22 235 / 6
Fax +963 21 21 24 768
info.uae@wago.com

Taiwan R.O.C.

WAGO Contact, Ltd.
5F, No.168, Jiankang Rd
Zhonghe City
Taipei County 23585, Taiwan
Phone +886 2 22250123
Fax +886 2 22251511
info.taiwan@wago.com

Thailand

WAGO Representative Office Thailand
4th Floor, KS Building
213/6-8 Rachada-Phisek Road
Dingdaeng, Bangkok 10400
Tel. +66 2 6935611
Fax +66 2 6935612
warongkon.khankham@wago.com

US Power Distribution Co., Ltd.
4th Floor, KS Building
213/6-8 Rachada-Phisek Road
Dingdaeng, Bangkok 10400
Tel. +66 2 2763040
Fax +66 2 2763049
uspower2014@gmail.com

Tunisia

please contact WAGO France

Turkey

WAGO Elektronik Sanayi ve Ticaret Ltd. Şti.
Yukan Dudullu Mahallesi Bayraktar Bulvan
Cad. Hattat Sok. No. 10
34775 Umraniye - Istanbul
Turkey
Tel. +90 216 472 1133
Fax +90 216 472 9910
info.tr@wago.com

Ukraine

NPP Logicon
Predslavinskaya street, 39, office 303
03150 Kiev
Tel. +380 44 5228019
Fax +380 44 2611803
info@logicon.ua

OOO Mikropribor
ul. Kotelnikova, 4
03115 Kiev
Tel. +380 44 5369386
Fax +380 44 5369387
sales@micropribor.kiev.ua

ITC Electronics: Kiev
pr. Vossoyrediniya 7a
office 107
02160 Kiev
Tel. +38 44 5596890
Fax +38 44 5011303
kiev@itc-electronics.com

United Arab Emirates (UAE)

WAGO Middle East (FZC)
SAIF Zone, Q4-282
P.O. Box: 120665
Sharjah, UAE
Phone +971 6 5579920
Fax +971 6 5579921
info.uae@wago.com

USA

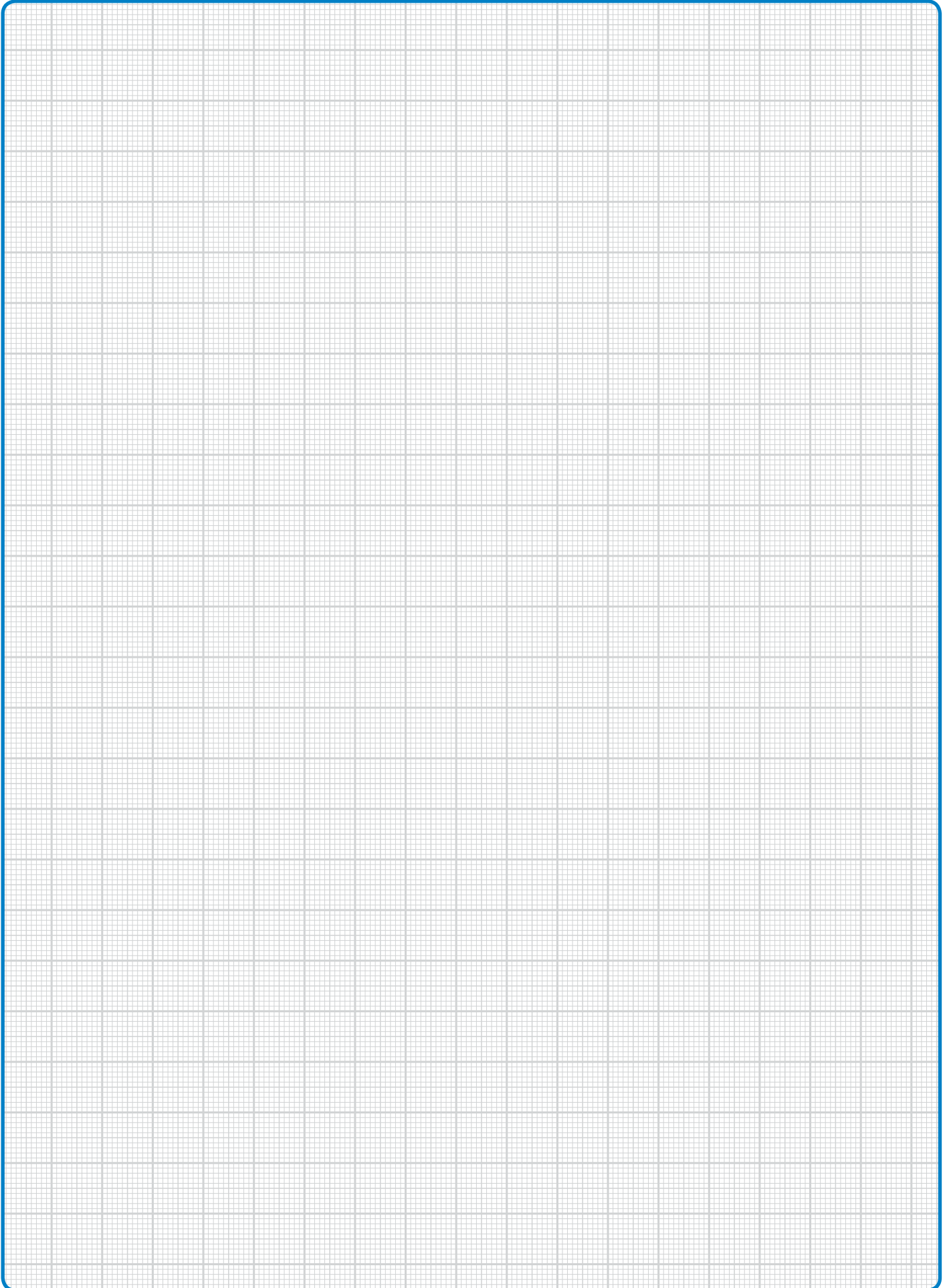
WAGO Corporation
N120 W19129 Freistadt Road
Germantown, WI 53022
Phone +1 262 255 6222
Fax +1 262 255 3232
Toll-Free: 1-800 DIN Rail (346-7245)
info.us@wago.com

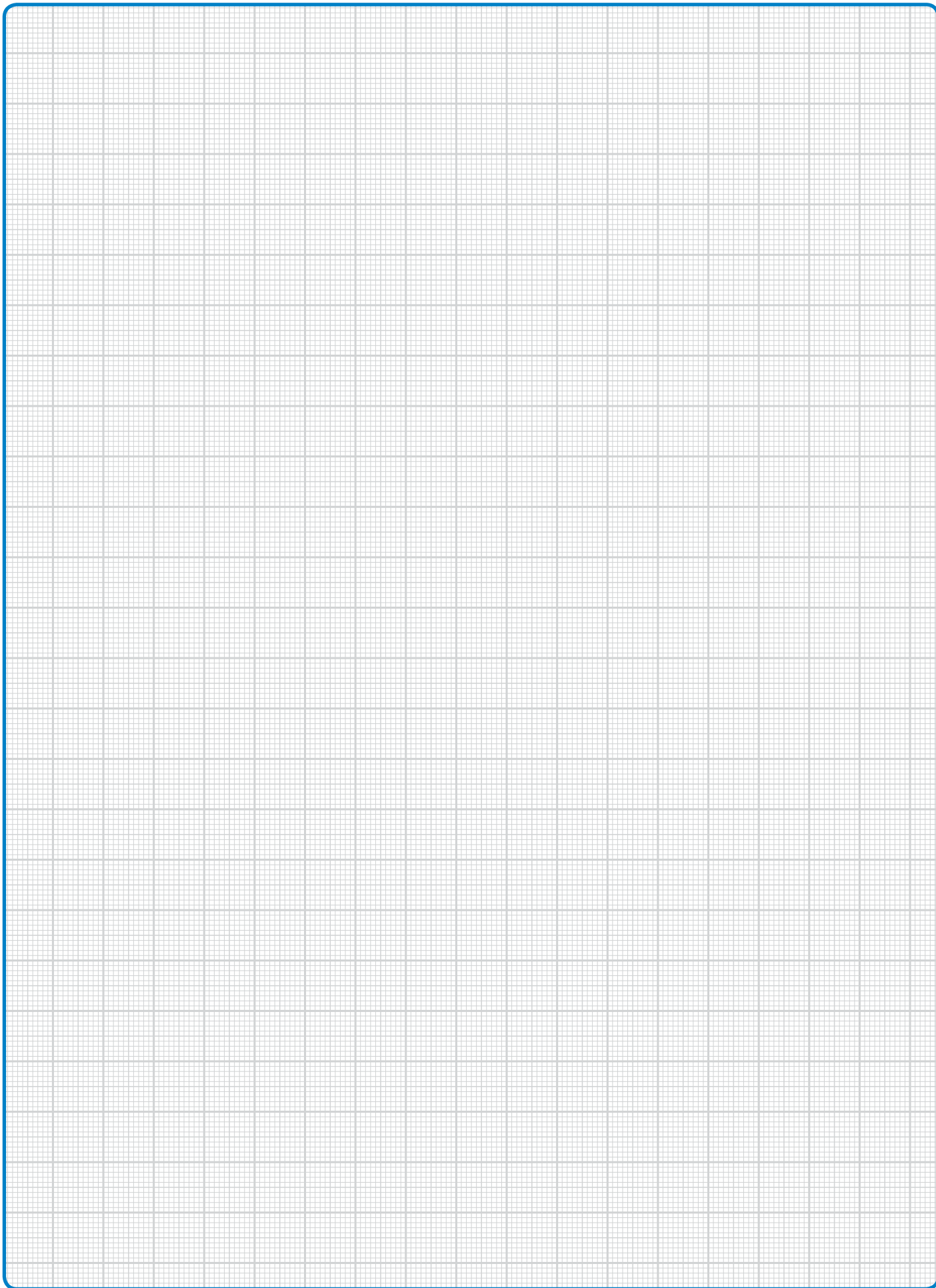
Venezuela

PETROBORNAS, C.A.
C.C. PLAZA AEROPUERTO - PISO 1 - LOCAL P1 - B - 03
(8015) UNARE - PUERTO ORDAZ - ESTADO BOLIVAR
REPÚBLICA BOLIVARIANA DE VENEZUELA
Tel. +58 286 951 3382
Fax +58 286 951 3382
info@petrobornas.com

Vietnam

please contact WAGO Germany (Minden)





WE! INNOVATE!

0888-1002/0115-6901 Suppl. Automation US - 2015/1 - Printed in Germany - Subject to design changes

WAGO Kontakttechnik GmbH & Co. KG
Postfach 2880 · D - 32385 Minden
Hansastraße 27 · D - 32423 Minden

Germany

Phone: +49 571 887 - 0
Fax: +49 571 887 - 169

E-Mail: info@wago.com
Online: www.wago.com

